

210mm

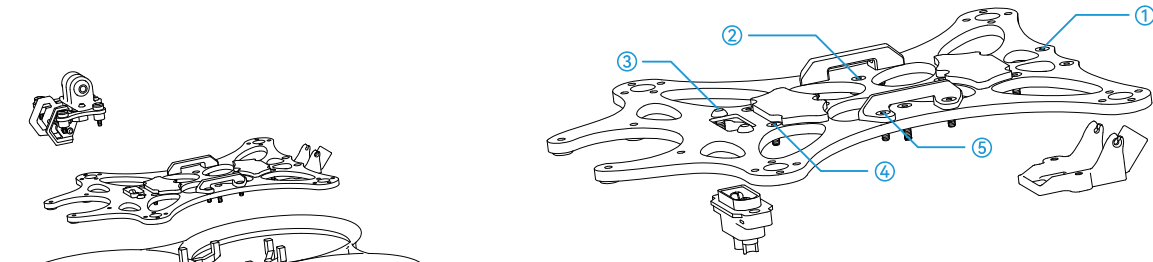
### 基本信息

轴距 148mm  
保护圈内径 92mm

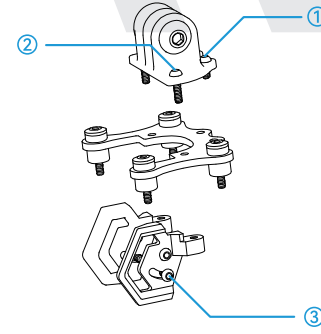
主体碳板厚度 3mm  
重量 114g

飞控安装尺寸 25.5\*25.5mm

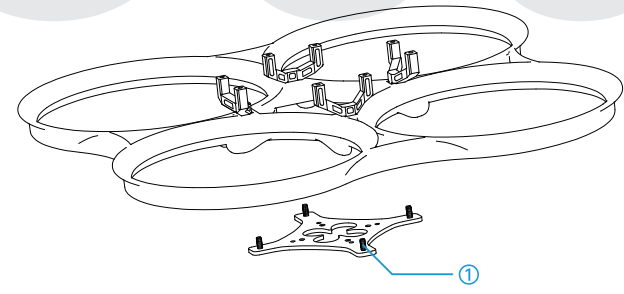
马达安装尺寸 4\*M2 EQS  $\phi$ 12mm



- ① M2\*6内六角沉头螺丝 x2
- ② M2\*10内六角沉头螺丝 x4
- ③ M2.5\*5内六角平圆头螺丝 x2
- ④ M2\*6内六角沉头螺丝 x4
- ⑤ M2\*8内六角沉头螺丝 x4



- ① M2\*5内六角平圆头螺丝 x2
- ② M2\*8内六角平圆头螺丝 x2
- ③ M2\*4内六角平圆头螺丝 x4



- ① M2\*6内六角沉头螺丝 x4

148mm

210mm

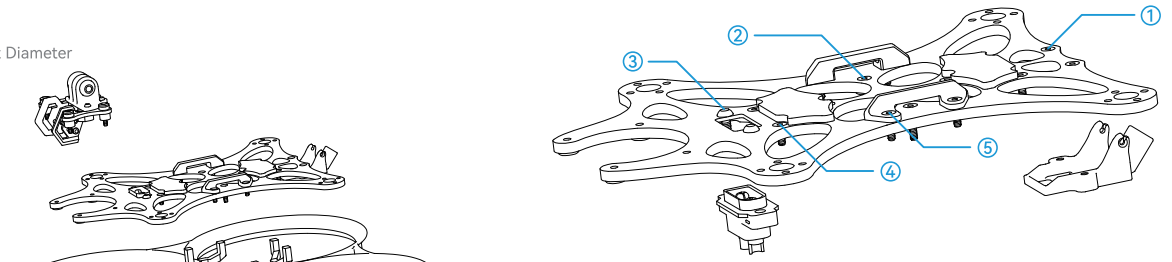
### Specification

Wheelbase 148mm  
Whoop Duct Diameter 92mm

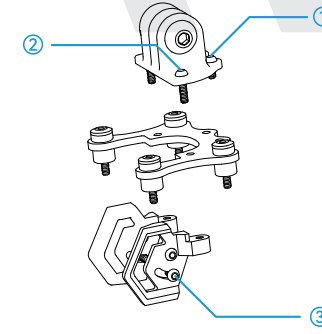
Top Plate Thickness 3mm  
Weight 114g

FC Mounting 25.5\*25.5mm

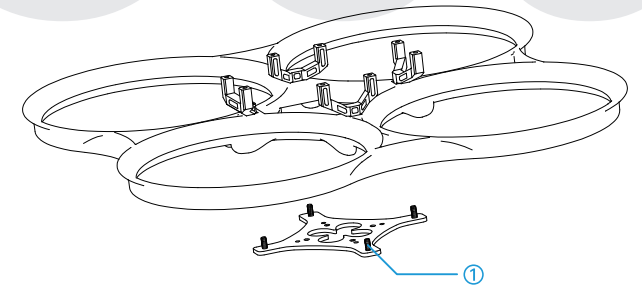
Motor Mounting 4\*M2 EQS  $\phi$ 12mm



- ① M2\*6 Hex Flat Head Screws x2
- ② M2\*10 Hex Flat Head Screws x4
- ③ M2.5\*5 Hex Flat Head Screws x2
- ④ M2\*6 Hex Flat Head Screws x4
- ⑤ M2\*8 Hex Flat Head Screws x4



- ① M2\*5 Hex Button Head Screws x2
- ② M2\*8 Hex Button Head Screws x2
- ③ M2\*4 Hex Button Head Screws x4



- ① M2\*6 Hex Flat Head Screws x4